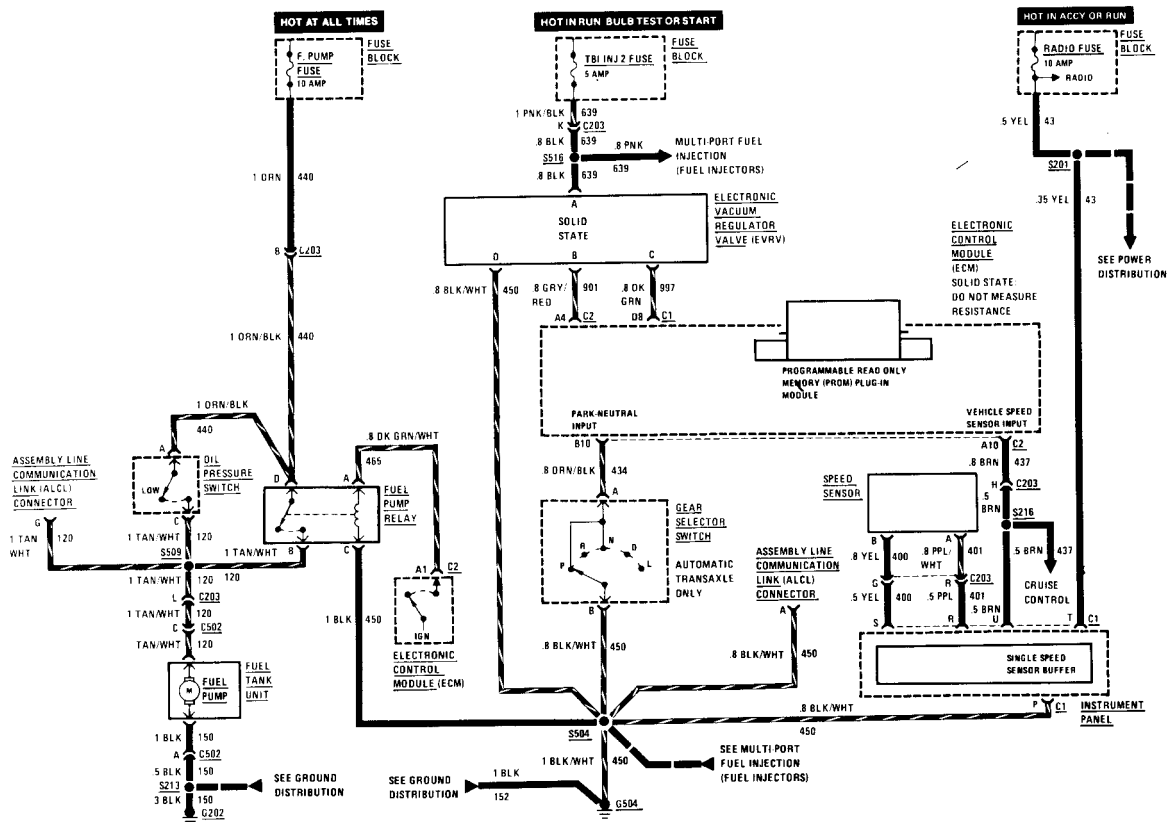


Multi-port fuel injection (V6 engine) — ignition and Service Engine Soon light



Multi-port fuel injection (V6 engine) — fuel control